



RESIDENTIAL PLASTIC TOILET SEAT



TOP-TITE® HINGES



NON-CORROSIVE BOLTS
AND WING NUTS

MODEL #

COLOR #

200TCA

DESCRIPTION :

Closed front with cover, round, injection molded solid plastic toilet seat. Features four molded-in bumpers, color-matched Top-Tite® hinges with non-corrosive, top-tightening Hex-Tite™ bolts and wing nuts. This seat complies with IAPMO/ANSI Z124.5-2013 Plastic Toilet Seats as a class Commercial Heavy Duty.

SPECIFICATIONS :

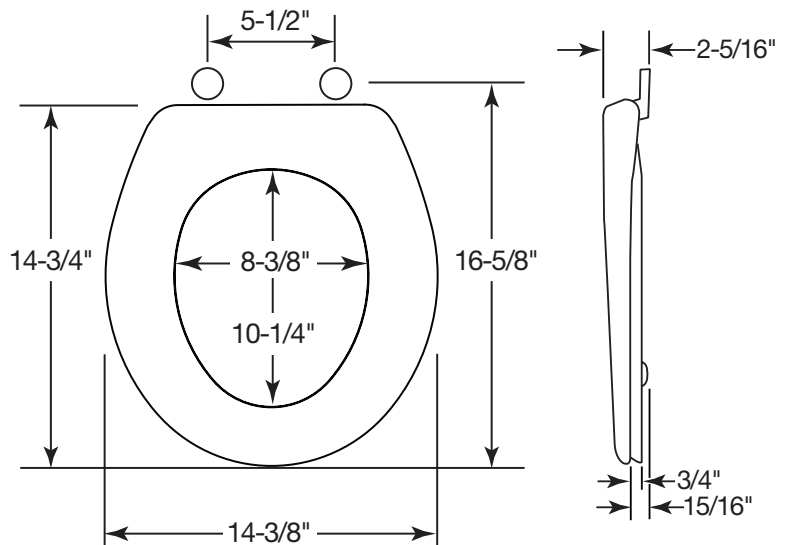
Size:	Round
Material:	Plastic
Style:	Closed Front with Cover
Bumpers:	Four
Hinges:	Plastic Top-Tite®
Fastening System:	Non-Corrosive Hex-Tite™ Bolts and Wing Nuts

FEATURES :

Top-Tite® Hinges

Non-Corrosive Top-Tightening Hex-Tite™ Bolts and Wing Nuts

DIMENSIONS :



Proudly Made in the USA

Bemis Manufacturing Co., Sheboygan Falls, WI 53085
www.ToiletSeats.com

Phone: 800-558-7651 Fax: 800-292-3647
©2014 0B7012254 REV B