



# RESIDENTIAL MOLDED WOOD TOILET SEAT

MODEL #

COLOR #

## 1600E3

### DESCRIPTION:

Closed front with cover, elongated, molded wood, multi-coat enamel finish toilet seat. Features two color-matched bumpers, color-matched Whisper•Close® with Easy•Clean & Change® adjustable hinges with STA-TITE® Seat Fastening System™. Hinges adjust up to 1/2" forwards and backwards.

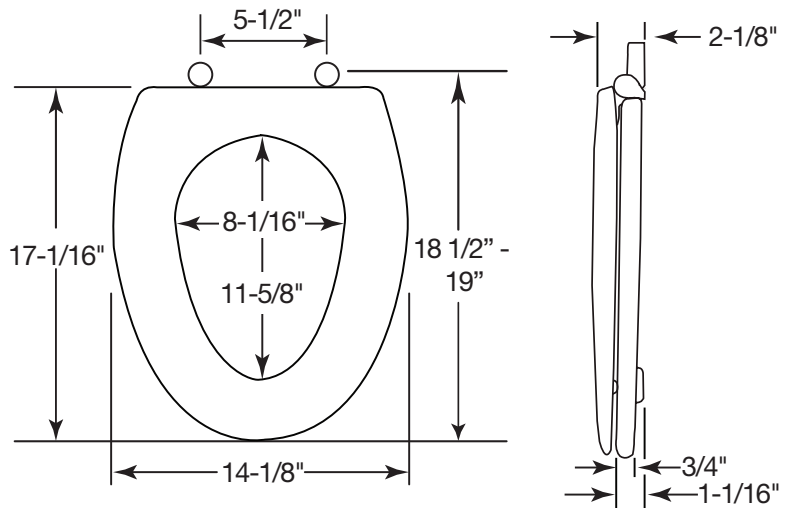
### SPECIFICATIONS:

Size:	Elongated
Material:	Molded Wood
Style:	Closed Front with Cover
Bumpers:	Two
Hinges:	Adjustable Plastic Whisper•Close® with Easy•Clean & Change®
Fastening System:	STA-TITE® Seat Fastening System™

### FEATURES:

- Adjustable Hinges
- Easy•Clean & Change®
- Whisper•Close®
- STA-TITE® Seat Fastening System™

### DIMENSIONS:



1/2" ADJUSTABLE HINGES



PLASTIC WHISPER•CLOSE® WITH EASY•CLEAN & CHANGE® HINGES



LIFT HINGES TO UNLOCK



EASY REMOVAL OF SEAT FOR THOROUGH CLEANING



WHISPER•CLOSE® FEATURE



STA-TITE® SEAT FASTENING SYSTEM™

Proudly Made in the USA

Bemis Manufacturing Co., Sheboygan Falls, WI 53085  
www.ToiletSeats.com

Phone: 800-558-7651 Fax: 800-292-3647