



HEAVY-DUTY LIFT FOR TOILET SEAT

MODEL #

COLOR #

4LR

DESCRIPTION:

Round, heavy-duty, hollow core plastic lift for toilet seats (purchased separately). Provides 4" of additional height above rim once seat is installed. Features 300 Series stainless steel offset mounting bracket and hardware. Bracket allows for both lift and seat to be raised to a vertical position for cleaning.

SPECIFICATIONS:

Size:	Round
Material:	Plastic
Style:	Lift/Riser
Bumpers:	Four
Hinges:	Non-Corrosive 300 Series Stainless Steel Mounting Bracket
Fastening System:	Non-Corrosive 300 Series Stainless Steel Hardware

FEATURES:

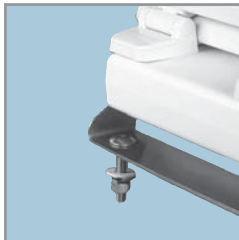
Non-Corrosive 300 Series Stainless Steel Mounting Bracket and Hardware

Provides 4" of Additional Height above Rim (When Seat Installed)

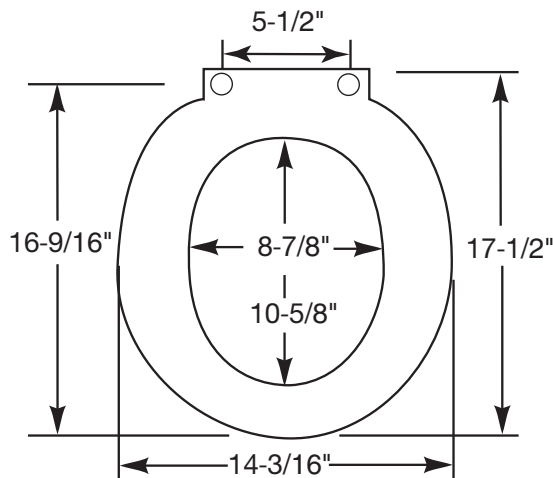
DIMENSIONS:



PROVIDES 4" OF
ADDITIONAL HEIGHT WHEN
SEAT IS INSTALLED



NON-CORROSIVE 300
SERIES SS MOUNTING
BRACKET AND HARDWARE



Thickness including bumper is 3"

Proudly Made in the USA

Bemis Manufacturing Co., Sheboygan Falls, WI 53085
www.BemisSeats.com

Phone: 800-558-7651 Fax: 800-292-3647
©2017 0B7012316 REV B