



# HEAVY-DUTY LIFT FOR TOILET SEAT



MODEL #

COLOR #

**4LE**

## DESCRIPTION :

Elongated, heavy-duty, hollow core plastic lift for toilet seats (purchased separately). Provides 4" of additional height above rim once seat is installed. Features 300 Series stainless steel offset mounting bracket and hardware. Bracket allows for both lift and seat to be raised to a vertical position for cleaning.

## SPECIFICATIONS :

Size:	Elongated
Material:	Plastic
Style:	Lift/Riser
Bumpers:	Four
Hinges:	Non-Corrosive 300 Series Stainless Steel Mounting Bracket
Fastening System:	Non-Corrosive 300 Series Stainless Steel Hardware

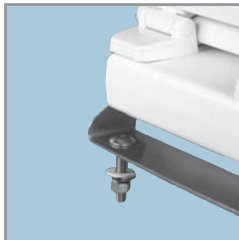
## FEATURES :

- Non-Corrosive 300 Series Stainless Steel Mounting Bracket and Hardware
- Provides 4" of Additional Height above Rim (When Seat Installed)

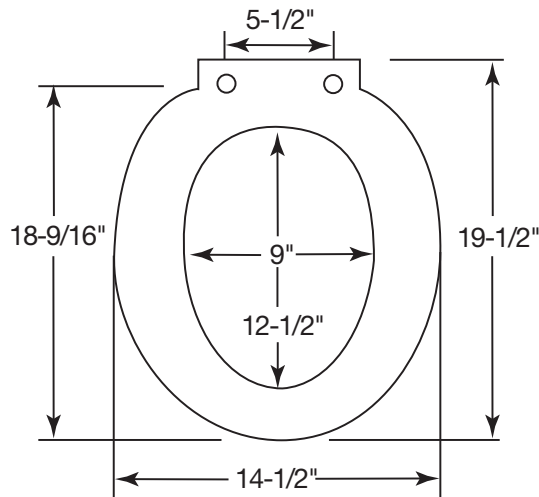
## DIMENSIONS :



PROVIDES 4" OF  
ADDITIONAL HEIGHT WHEN  
SEAT IS INSTALLED



NON-CORROSIVE 300  
SERIES SS MOUNTING  
BRACKET AND HARDWARE



Thickness including bumper is 3"

