



COMMERCIAL PLASTIC TOILET SEAT

MODEL #

COLOR #

800CCP

DESCRIPTION :

Closed front with cover, round, injection molded solid plastic toilet seat made to fit Case toilets. Features four molded-in bumpers, chrome-plated brass hinges with non-corrosive 300 Series stainless steel pintles and hardware on 7" centers that bolt back through the tank.

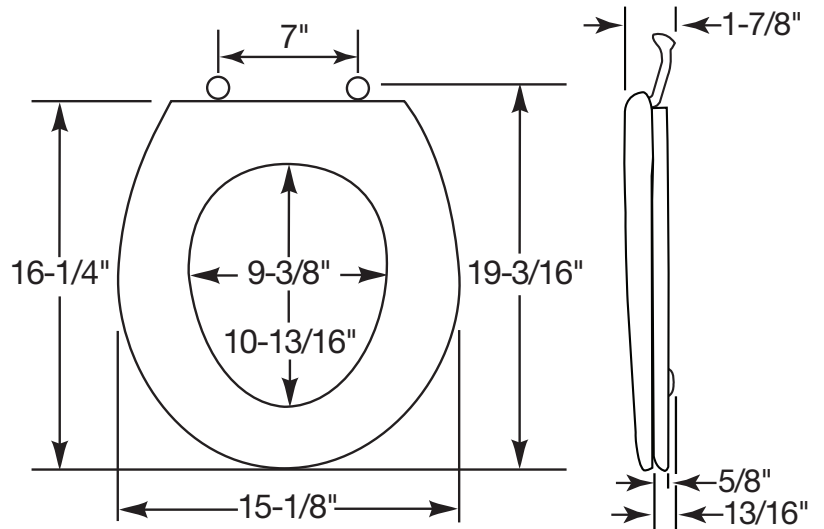
SPECIFICATIONS :

Size:	Round
Material:	Plastic
Style:	Closed Front with Cover
Bumpers:	Four
Hinges:	Chrome-Plated Brass
Fastening System:	Non-Corrosive 300 Series Stainless Steel Hardware

FEATURES :

- Fits Case 1000
- Non-Corrosive 300 Series Stainless Steel Hardware

DIMENSIONS :



Bemis Manufacturing Co., Sheboygan Falls, WI 53085
www.ToiletSeats.com

Phone: 800-558-7651 Fax: 800-292-3647
©2014 0B7012294 REVA