

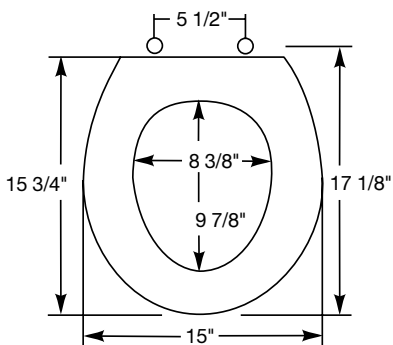


R E S I D E N T I A L M O L D E D W O O D S E A T S



400

Seats shall be No. 400 as manufactured by Bemis Manufacturing Co. Seats shall be molded wood, multi-coat enamel finish with closed front and cover to fit round bowl. Color-matched bumpers and hinges. Top-Tite® hinges with non-corrosive top tightening bolts and wing nuts. Color to be white.



Ring thickness is 3/4"
Ring thickness including the bumper is 1"
Height of the seat with cover is 1-3/4"

