

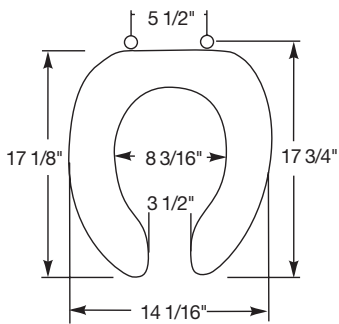


C O M M E R C I A L P L A S T I C S E A T S



# 2150

Seats shall be No. 2150 as manufactured by Bemis Manufacturing Co. Seats shall contain DuraGuard®, an antimicrobial agent. Seats shall be heavy weight and injection molded of solid plastic. Seats shall be open front with cover for elongated bowl and feature large molded-in bumpers. Hinges and pintles feature 300 Series stainless steel. Color to be white.



Ring thickness is 3/4"  
Ring thickness including the bumper is 1-1/16"  
Height of the seat with cover is 2-1/4"



300 SERIES STAINLESS STEEL HINGE AND PINTLE



300 SERIES STAINLESS STEEL HINGE

