



RESIDENTIAL PLASTIC TOILET SEAT



TOP-TITE® HINGES



NON-CORROSIVE
HARDWARE

MODEL #

COLOR #

200TCA

DESCRIPTION :

Closed front with cover, round, heavy weight injection molded solid plastic toilet seat. Features four large, molded-in bumpers, color-matched Top-Tite® hinges with non-corrosive top-tightening bolts and wing nuts. This seat meets or exceeds Residential ANSI Standard Z-124.5.

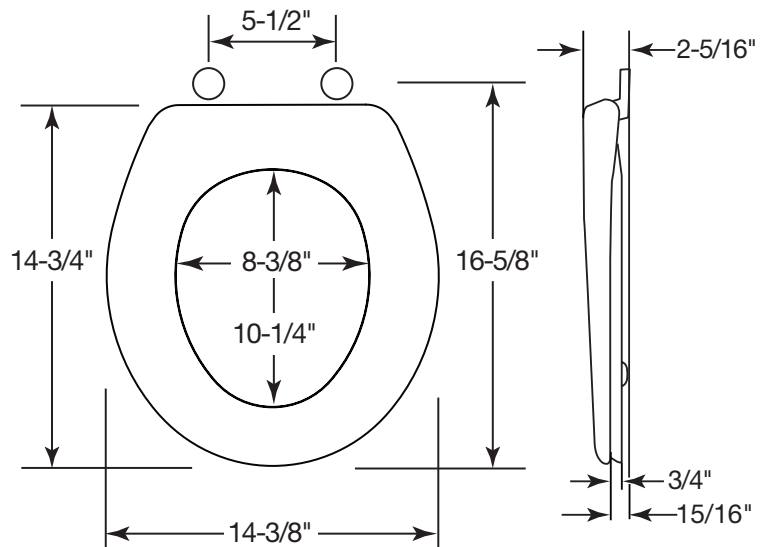
SPECIFICATIONS :

Size:	Round
Material:	Plastic
Style:	Closed Front with Cover
Bumpers:	Four
Hinges:	Plastic Top-Tite®
Fastening System:	Non-Corrosive Bolts and Wing Nuts

FEATURES :

- Top-Tite® Hinges
- Non-Corrosive Top-Tightening Bolts and Wing Nuts

DIMENSIONS :



Proudly Made in the USA

Bemis Manufacturing Co., Sheboygan Falls, WI 53085
www.BemisSeats.com

Phone: 920-467-4621 | 800-558-7651 Fax: 920-467-8573
©2010 0B7012254