

C O M M E R C I A L P L A S T I C S E A T S



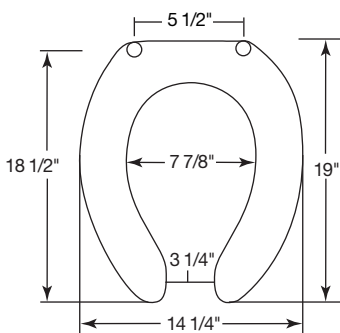
# 1955CTFR

Seats shall be No. \_\_\_\_\_ as manufactured by Bemis Manufacturing Co. Seats shall contain DuraGuard®, an antimicrobial agent. Seats shall contain FirePro™, a fire retardant material to meet UL-94VO flammability rating. Seats shall be heavy weight and injection molded of solid plastic. Seats shall be open front less cover for elongated bowl and feature large molded-in bumpers. w/ and feature large molded-in bumpers. Seats shall have STA-TITE®, Commercial Fastening System™, featuring external check hinges with 300 Series stainless steel posts and pintles that stop seat 11 degrees beyond vertical. Color to be white.

Hinges shall be 1955CTFR / 1955SSTFR.  
(Circle model based on description below.)

**1955CTFR** External check hinge stops seat 11° beyond vertical.

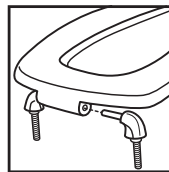
**1955SSTFR** Stainless steel, self-sustaining and external check hinge holds seat in any raised position up to 11° beyond vertical.



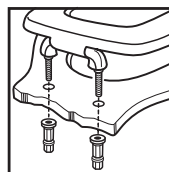
Ring thickness is 13/16"  
Ring thickness including the bumper is 1"

**DuraGuard**®  
ANTIMICROBIAL

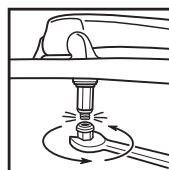
## STA-TITE®



Assemble hinges.



Finger-tighten fastening nuts.



Using wrench, tighten until lower portion shears off.



**STA-TITE®**, COMMERCIAL FASTENING SYSTEM™, ONE-PIECE INTEGRATED NUT AND WASHER



**CONCEALED CHECK HINGE**

