



C O M M E R C I A L P L A S T I C S E A T S



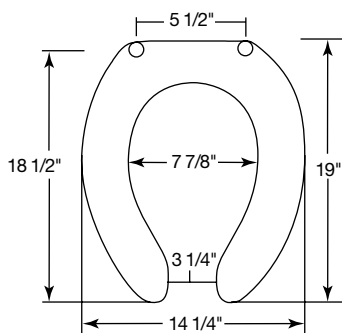
# 1955CFR

Seats shall be No. 1955CFR as manufactured by Bemis Manufacturing Co. Seats shall contain DuraGuard®, an antimicrobial agent. Seats shall contain FirePro™, a fire retardant material to meet UL-94VO flammability rating. Seats shall be heavy weight and injection molded of solid plastic. Seats shall be open front less cover for elongated bowl and feature large molded-in bumpers. External check hinges to feature 300 Series stainless steel posts that stop seat 11 degrees beyond vertical. Uses 300 Series stainless steel hardware. Color to be white. Hinges shall be \_\_\_\_\_. (specify hinge type)



**1955CFR** External check hinge stops seat 11° beyond vertical.

**1955SSFR** Stainless steel, self-sustaining and external check hinge holds seat in any raised position up to 11° beyond vertical.



Ring thickness is 13/16"  
Ring thickness including the bumper is 1"



**EXTERNAL CHECK HINGES WITH 300 SERIES STAINLESS STEEL POST**



**EXTERNAL CHECK HINGE**

