



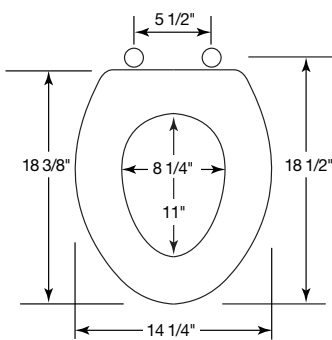
C O M M E R C I A L P L A S T I C S E A T S



1850EC

EASY•CLEAN & CHANGE™

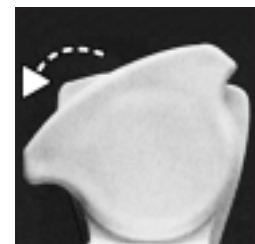
Seats shall be 1850EC as manufactured by Bemis Manufacturing Co. Seats shall be commercial weight and injection molded of solid plastic. Seat shall be open front with cover for elongated bowl and feature molded in bumpers. Color-matched Easy•Clean & Change™ hinges contain stainless steel pintles, non-corrosive top-tightening bolts, wing nuts and no-slip washers. Color to be white.



Ring thickness is 5/8"
 Ring thickness including the bumper is 7/8"
 Height of the seat with cover is 1-7/8"



**EASY•CLEAN & CHANGE™
HINGE**



TWIST HINGE TO UNLOCK



LIFT-OFF™ FEATURE



**EASY•CLEAN & CHANGE™
LIFTS OFF FOR EASY
CLEANING**