



RESIDENTIAL GEN 21 SERIES™ TOILET SEAT



MODEL #

COLOR #

1652CHSL/NISL

DESCRIPTION:

Closed front with cover, elongated, high density™ molded wood toilet seat. Features two large no-slip luxury bumpers, Chrome or Brushed Nickel Whisper•Close® hinges with STA-TITE® Residential Fastening System™. Seat contains DuraGuard®* an antimicrobial agent. This seat meets or exceeds Residential ANSI Standard Z-124.5.

SPECIFICATIONS:

Size:	Elongated
Material:	High Density Molded Wood
Style:	Closed Front with Cover
Bumpers:	Two
Hinges:	Chrome or Brushed Nickel Whisper•Close®
Fastening System:	STA-TITE® Residential Fastening System™

FEATURES:

Whisper•Close®

STA-TITE® Residential Fastening System™

DuraGuard® Antimicrobial



METAL WHISPER•CLOSE®
HINGES



WHISPER•CLOSE® FEATURE

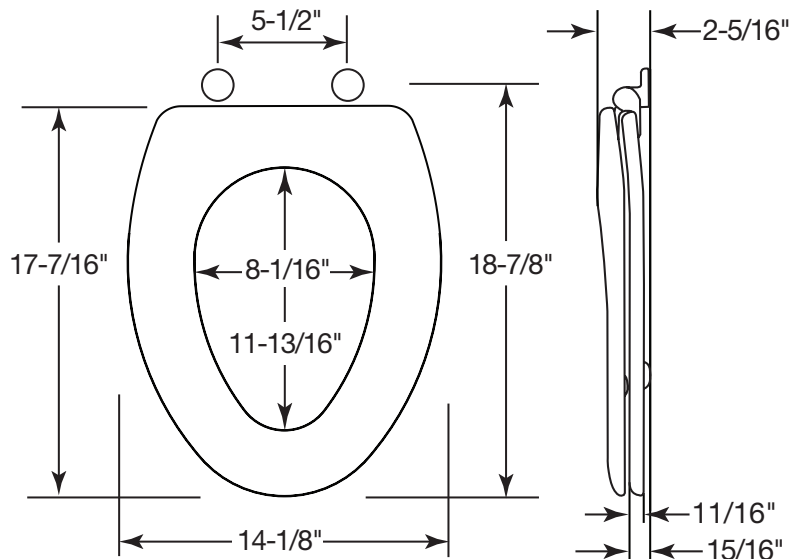


NO-SLIP LUXURY BUMPERS



STA-TITE® HARDWARE

DIMENSIONS:



Proudly Made in the USA

Bemis Manufacturing Co., Sheboygan Falls, WI 53085
www.BemisSeats.com

Phone: 920-467-4621 | 800-558-7651 Fax: 920-467-8573