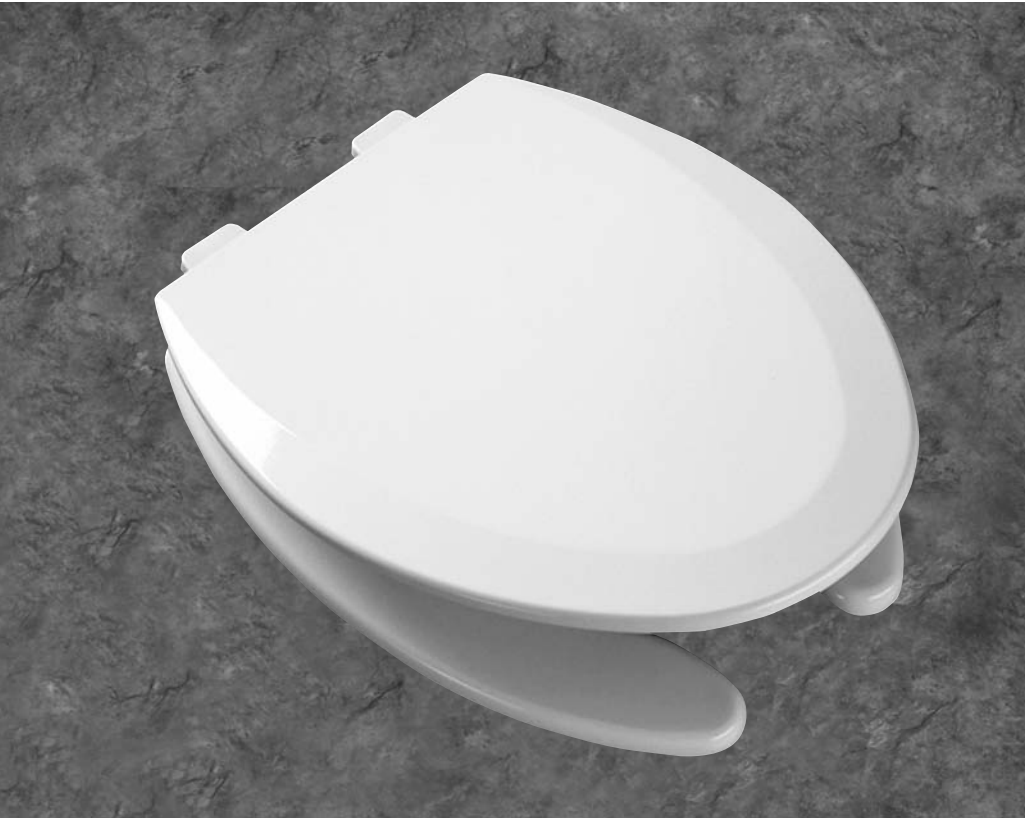




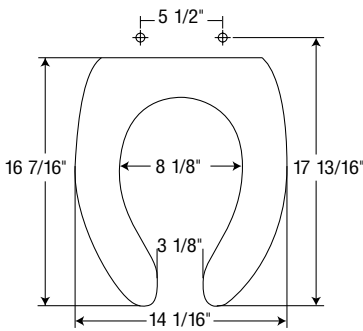
P R O L I N E™ / P R O S E A T™ M O L D E D W O O D S E A T S



1550PRO

Seats shall be 1550PRO as manufactured by Bemis Manufacturing Co. Seats shall be molded wood, multi-coat enamel finish with open front and cover to fit elongated bowl. Color matched bumpers and hinges. Hextite™ hinges with non-corrosive top-tightening bolts, wing nuts and no-slip washers. Color to be_____. (specify white or fixture manufacturer's color)

Bemis PROseats™ have a sleek design never before seen in a “wood” seat. PROseat™ color-matched components, Hextite™ hinges and a three-layer enamel finish provide guaranteed durability and satisfaction for the plumbing professional.



Ring thickness is 3/4"
 Ring thickness including the bumper is 1-1/16"
 Height of the seat with cover is 1-7/8"



**TOP-TIGHTENING
HEXTITE™ HINGE**



STURDY HEXTITE™ HINGE

