

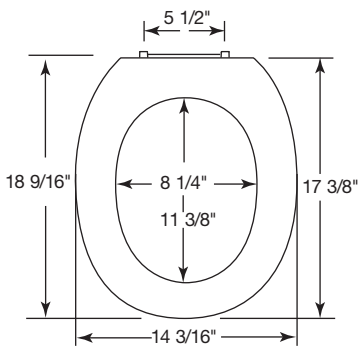


R E S I D E N T I A L M O L D E D W O O D S E A T S



# 1546 nextstep®

Seats shall be 1546 as manufactured by Bemis Manufacturing Co. Seats shall be heavy-duty molded wood, multi-coat enamel finish with closed front and cover to fit elongated bowl. Seats shall have color matched bumpers and chrome bar type hinge. Seats shall have an integrated child seat to accommodate the needs of both adult and child. Color to be white.



Ring thickness is 3/4"  
Ring thickness with Bumper 1-1/8"  
Height of the seat with cover is 2-1/4"  
Child Seat Hole Length 8-3/4"  
Child Seat Hole Width 5-3/4"



**CHILD SEAT SECURES  
MAGNETICALLY INTO COVER  
WHEN NOT IN USE**



**INTEGRATED CHILD  
TRAINING SEAT**