

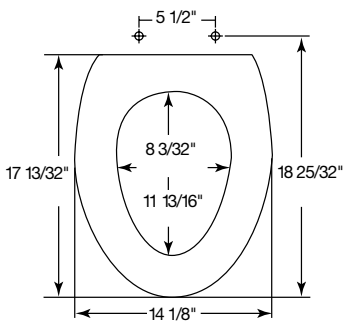


R E S I D E N T I A L M O L D E D W O O D S E A T S



1544BR/OR/MB

Seats shall be 1544BR/OR/MB as manufactured by Bemis Manufacturing Co. Seats shall be molded wood, multi-coat enamel finish with closed front and cover to fit elongated bowl. Color matched bumpers. The 1544 is available in Brass, Oil-Rubbed Bronze and Matte Black hinges to match bath hardware. Metal hinges offer a stylish alternative to traditional plastic hinges and they will not tarnish or corrode. Color to be _____. (specify white or fixture manufacturer's color) Hinge finish to be _____. (specify hinge finish)



Ring thickness is 3/4"
Ring thickness including the bumper is 1-1/16"
Height of seat with cover is 1-7/8"



**BRASS, OIL-RUBBED
BRONZE OR MATTE BLACK
HINGES**

