

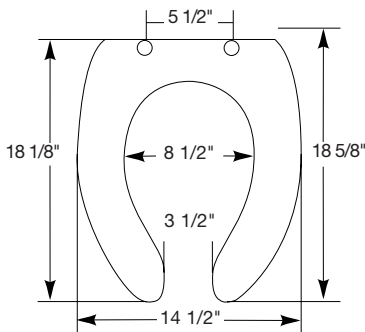


# COMMERCIAL PLASTIC SEATS



## 1055

Seats shall be No. 1055 as manufactured by Bemis Manufacturing Co. Seats shall be heavy duty and injection molded of solid plastic. Seats shall be open front less cover for elongated bowl and feature large molded-in bumpers. Concealed check hinges to feature 300 Series stainless steel posts that stop seat 11 degrees beyond vertical. Uses 300 Series stainless steel hardware. Color to be white.



Ring thickness is 13/16"  
Ring thickness including the bumper is 1"  
Height of the seat with cover is 1-1/2"



CONCEALED CHECK HINGES WITH 300 SERIES STAINLESS STEEL POST



CONCEALED CHECK HINGE



1055 PROFILE