



COMMERCIAL EXTRA HEAVY-DUTY PLASTIC TOILET SEAT

MODEL #

COLOR #

9400CT/9400SSCT _____

DESCRIPTION:

Open front less cover, elongated, extra heavy-duty, injection molded solid plastic toilet seat. Features two molded-in bumpers, non self-sustaining (9400CT) or self-sustaining (9400SSCT) check hinges with non-corrosive 300 Series stainless steel posts and pintles and STA-TITE® Commercial Fastening System™. This seat complies with American National Standard Z124.5 Toilet (Water Closet) Seats as a class Commercial Heavy Duty.

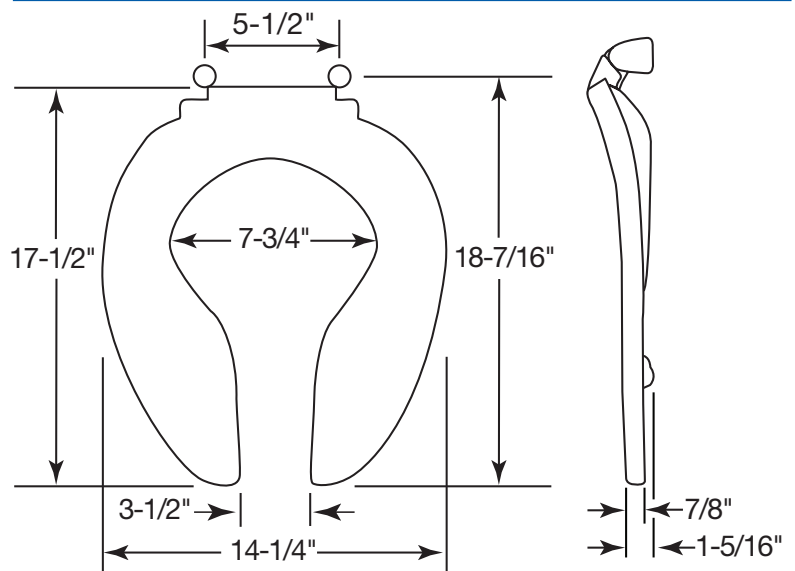
SPECIFICATIONS:

Size:	Elongated
Material:	Plastic
Style:	Open Front less Cover
Bumpers:	Two
Hinges:	Plastic Non Self-Sustaining (9400CT) or Self-Sustaining (9400SSCT) with 300 Series Stainless Steel Posts and Pintles
Fastening System:	STA-TITE® Commercial Fastening System™

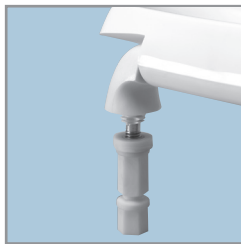
FEATURES:

- STA-TITE® Commercial Fastening System™
- Non-Corrosive 300 Series Stainless Steel Posts and Pintles

DIMENSIONS:



PLASTIC HINGES WITH STAINLESS STEEL POSTS AND PINTLES



STA-TITE® COMMERCIAL FASTENING SYSTEM™

