



# COMMERCIAL HEAVY-DUTY PLASTIC TOILET SEAT

MODEL #

COLOR #

## 1955CTJ

### DESCRIPTION:

Open front less cover, elongated, heavy-duty, injection molded solid plastic toilet seat. Features four molded-in bumpers, JUST•LIFT® integrated check hinges with non-corrosive 300 Series stainless steel posts and pintles and STA-TITE® Commercial Fastening System™. This seat complies with American National Standard Z124.5 Toilet (Water Closet) Seats as a class Commercial Heavy Duty.

### SPECIFICATIONS:

Size:	Elongated
Material:	Plastic
Style:	Open Front less Cover
Bumpers:	Four
Hinges:	Plastic JUST•LIFT® with 300 Series Stainless Steel Posts and Pintles
Fastening System:	STA-TITE® Commercial Fastening System™

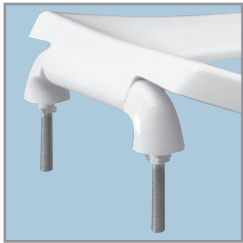
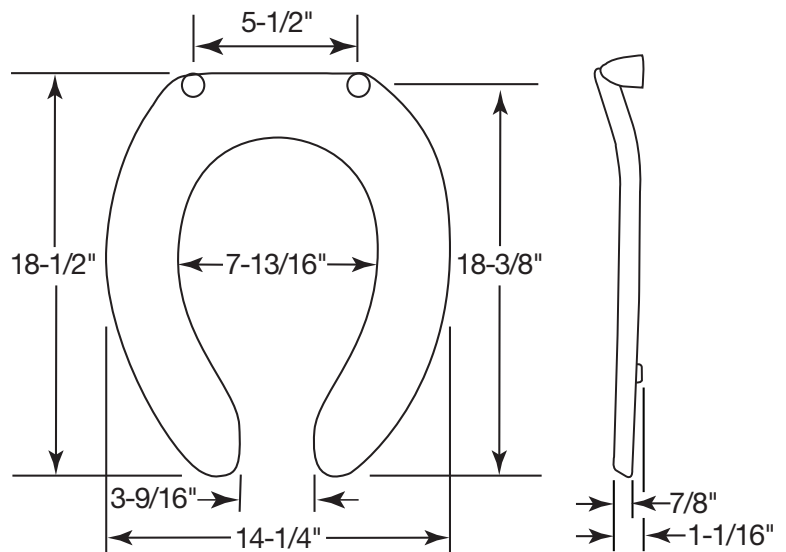
### FEATURES:

JUST•LIFT® Integrated Hinges for Enhanced Cleanability

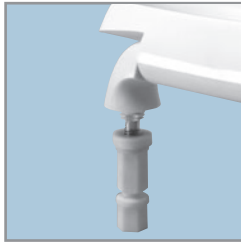
STA-TITE® Commercial Fastening System™

Non-Corrosive 300 Series Stainless Steel Posts and Pintles

### DIMENSIONS:



PLASTIC HINGES WITH  
STAINLESS STEEL POSTS  
AND PINTLES



STA-TITE® COMMERCIAL  
FASTENING SYSTEM™



JUST•LIFT® PROVIDES  
1-1/2" OF LIFT HEIGHT FOR  
ENHANCED CLEANABILITY

Proudly Made in the USA

Bemis Manufacturing Co., Sheboygan Falls, WI 53085  
www.BemisSeats.com

Phone: 920-467-4621 | 800-558-7651 Fax: 920-467-8573  
©2010 0B7012283