



# RESIDENTIAL MOLDED WOOD TOILET SEAT

MODEL #

COLOR #

## 1583SLOW

### DESCRIPTION:

Closed front with cover, elongated, molded wood, multi-coat enamel finish toilet seat. Features two color-matched bumpers, color-matched Whisper•Close® with Easy•Clean & Change™ hinges with STA-TITE® Residential Fastening System™. Seat shall have an integrated solid-plastic child seat to accommodate the needs of both adult and child. Child seat secures magnetically into cover when not in use and can be removed for easy cleaning or when no longer needed.

### SPECIFICATIONS:

Size:	Elongated
Material:	Molded Wood
Style:	Closed Front with Cover
Bumpers:	Two
Hinge:	Plastic Whisper•Close® with Easy•Clean & Change™
Fastening System:	STA-TITE® Residential Fastening System™

### FEATURES:

Built-In Potty Seat™

Whisper•Close®

Easy•Clean & Change™

STA-TITE® Residential Fastening System™

### DIMENSIONS:



WHISPER•CLOSE®  
FEATURE



TWIST HINGES TO UNLOCK



EASY REMOVAL OF SEAT  
FOR THOROUGH CLEANING



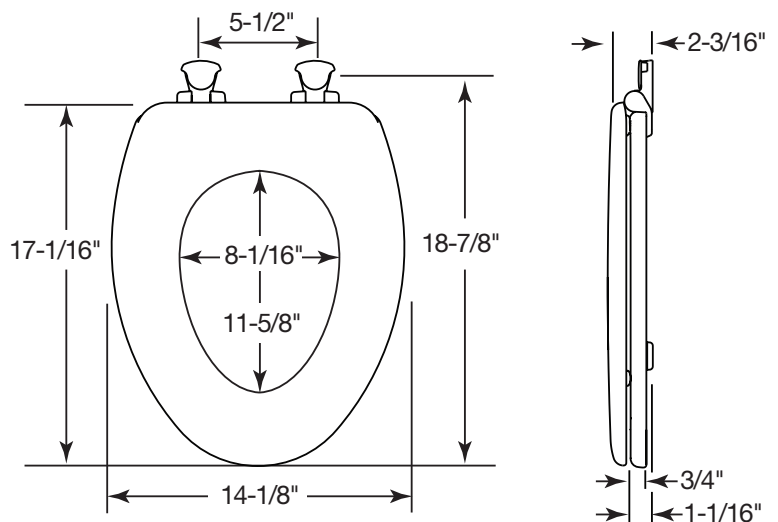
CHILD SEAT SECURES  
MAGNETICALLY INTO  
COVER WHEN NOT IN USE



REMOVABLE CHILD SEAT



STA-TITE® RESIDENTIAL  
FASTENING SYSTEM™



Child Ring Dimensions:  
Inside Ring Length 7-15/16"  
Inside Ring Width 5-1/8"

Proudly Made in the USA

Bemis Manufacturing Co., Sheboygan Falls, WI 53085  
www.BemisSeats.com

Phone: 920-467-4621 | 800-558-7651 Fax: 920-467-8573