



# RESIDENTIAL PLASTIC TOILET SEAT

MODEL #

COLOR #

## 1250SLOWT

### DESCRIPTION:

Open front with cover, elongated, injection molded solid plastic toilet seat. Features four molded-in bumpers, color-matched Whisper•Close® with Easy•Clean & Change™ hinges with STA-TITE® Residential Fastening System™. Seat contains DuraGuard® Antimicrobial Built-In Seat Protection™.

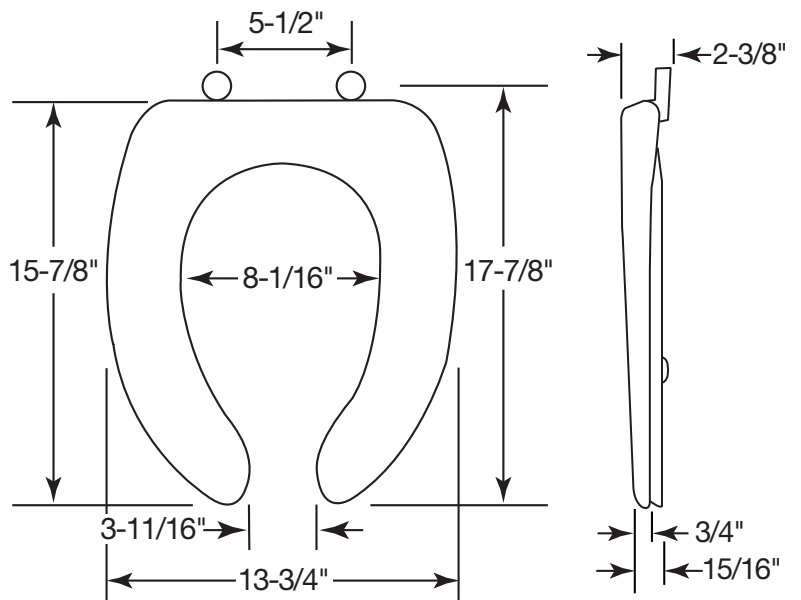
### SPECIFICATIONS:

Size:	Elongated
Material:	Plastic
Style:	Open Front with Cover
Bumpers:	Four
Hinges:	Plastic Whisper•Close® with Easy•Clean & Change™
Fastening System:	STA-TITE® Residential Fastening System™

### FEATURES:

- Whisper•Close®
- Easy•Clean & Change™
- STA-TITE® Residential Fastening System™
- DuraGuard® Antimicrobial Built-In Seat Protection™

### DIMENSIONS:



PLASTIC WHISPER•CLOSE® WITH EASY•CLEAN & CHANGE™ HINGES



WHISPER•CLOSE® FEATURE



TWIST HINGES TO UNLOCK



EASY REMOVAL OF SEAT FOR THOROUGH CLEANING



STA-TITE® RESIDENTIAL FASTENING SYSTEM™

Proudly Made in the USA

Bemis Manufacturing Co., Sheboygan Falls, WI 53085  
www.BemisSeats.com

Phone: 920-467-4621 | 800-558-7651 Fax: 920-467-8573

©2010 0B7012323